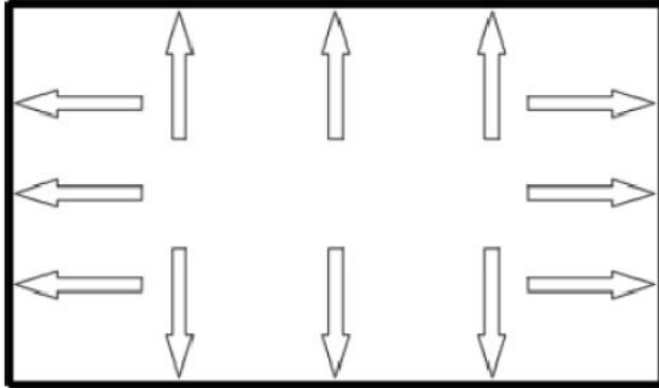


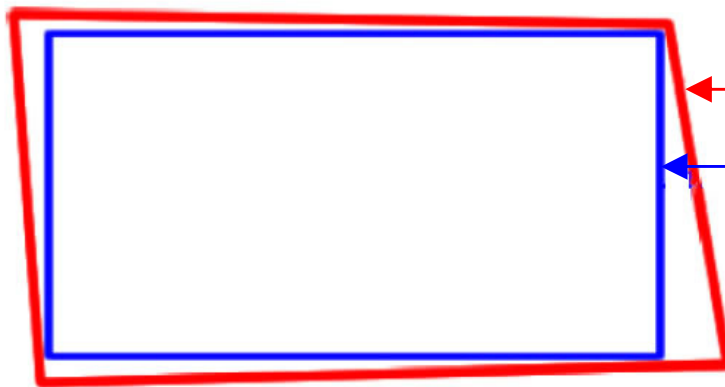
## How to Measure the Opening for your Bi-Folding Door

Bi-Fold doors will only function correctly if the outer frame is fitted square level and plumb.



Measure the opening at the multiple points taking the smallest as the size required minus the clearance.

After taking these sizes you must confirm that the opening is square and that all four sizes are straight plumb and level. If they are not the overall size of the frame must be reduced to allow the new frame to be fitted 'TRUE'.

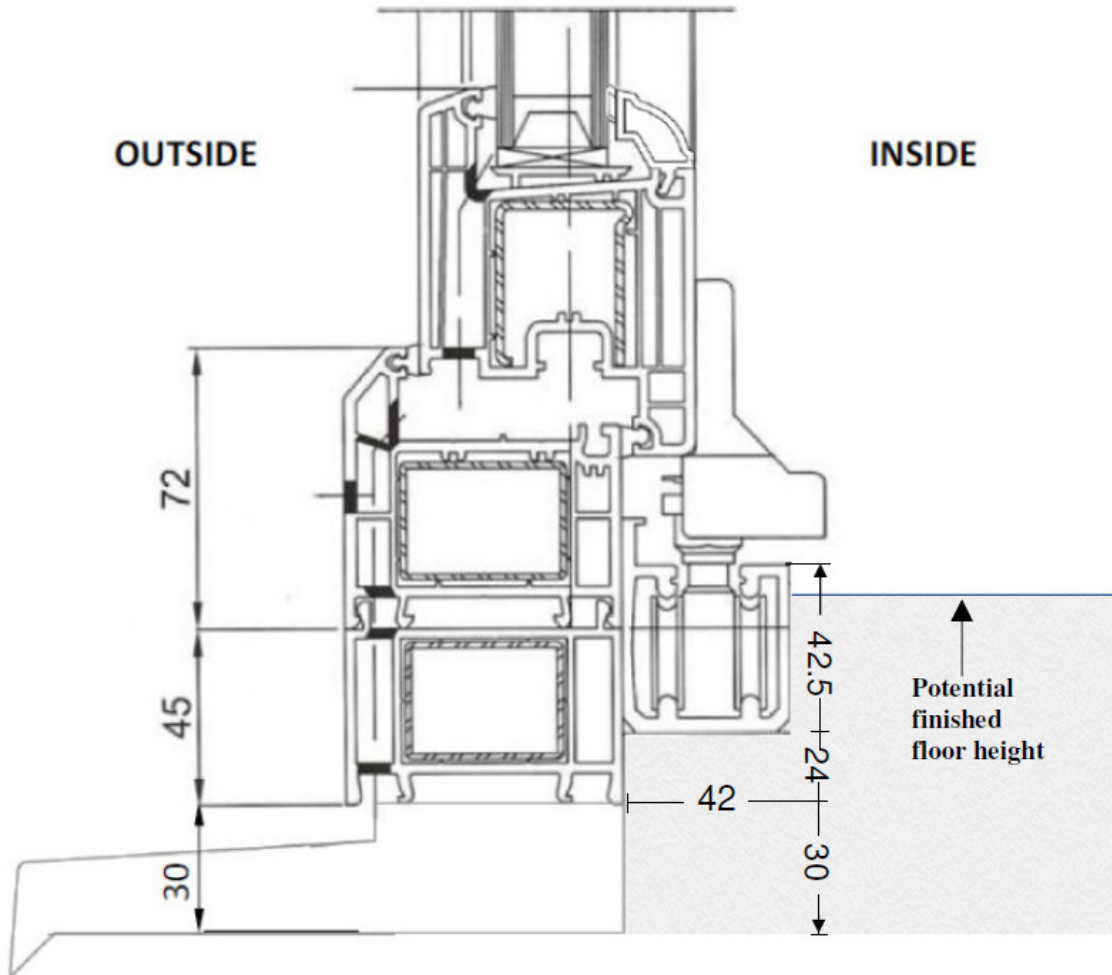


← **OPENING**

← **REPLACEMENT FRAME** – size reduced to allow for the frame to be fitted straight / level / plumb. The shape of the existing opening can be checked by the means of a tape measure, spirit level and string line. If you have any doubts please consult a competent person. The stepover

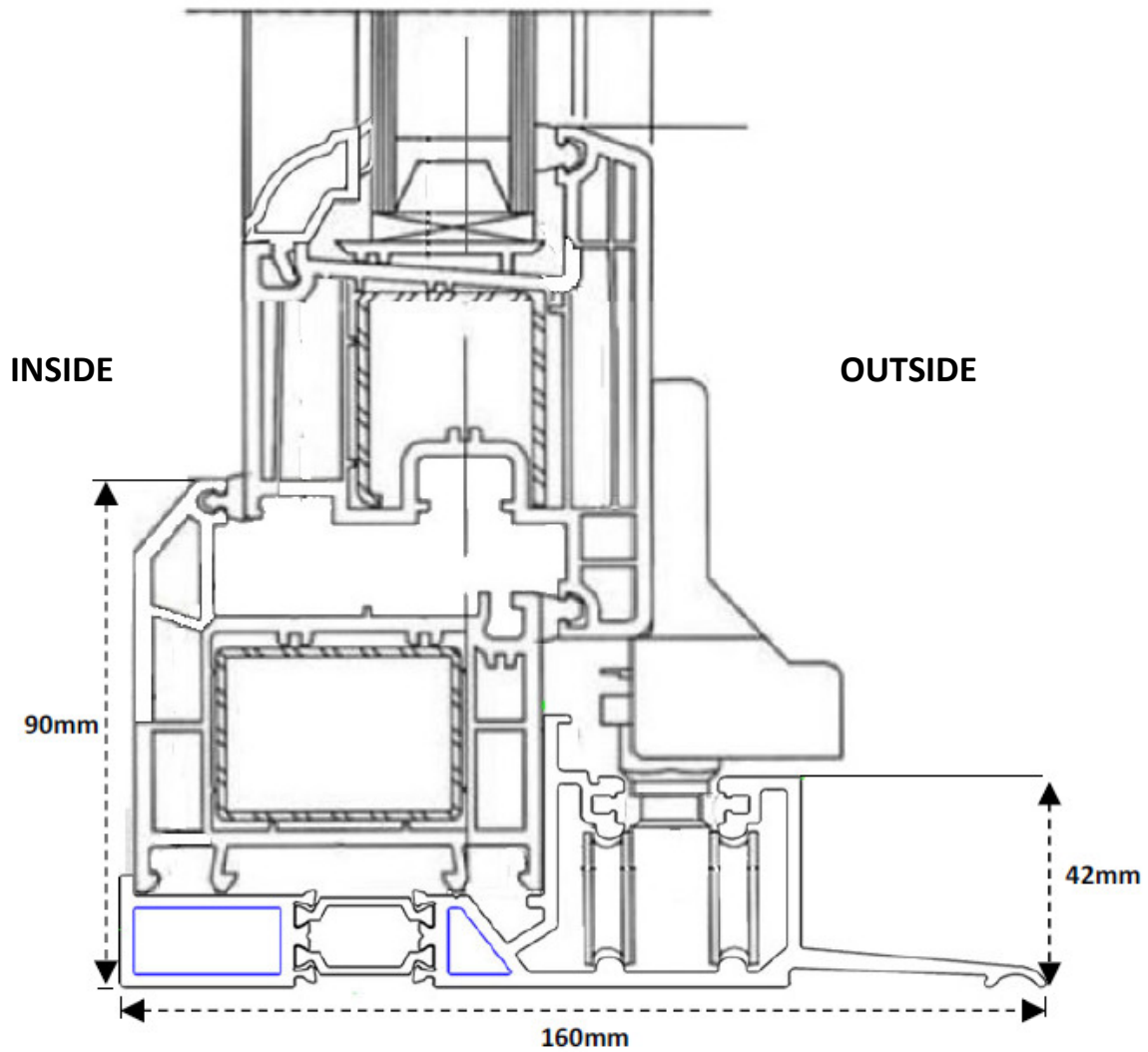
on the threshold can be greatly reduced if brickwork can be removed from the outside course – see diagrams 1a & 1b.

## THRESHOLD DETAILS FOR OPEN IN DOORS



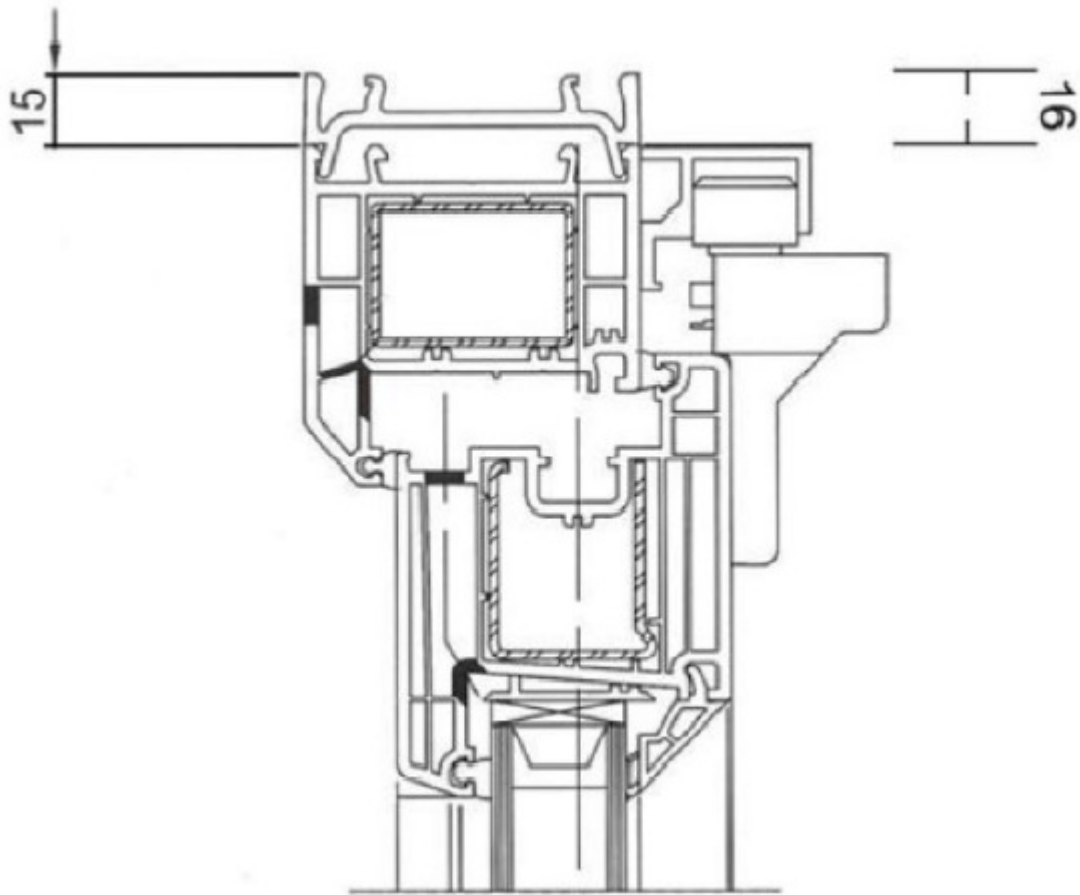
*Diagram 1a – Bottom Detail (Threshold)*

## THRESHOLD DETAILS FOR OPEN OUT DOORS



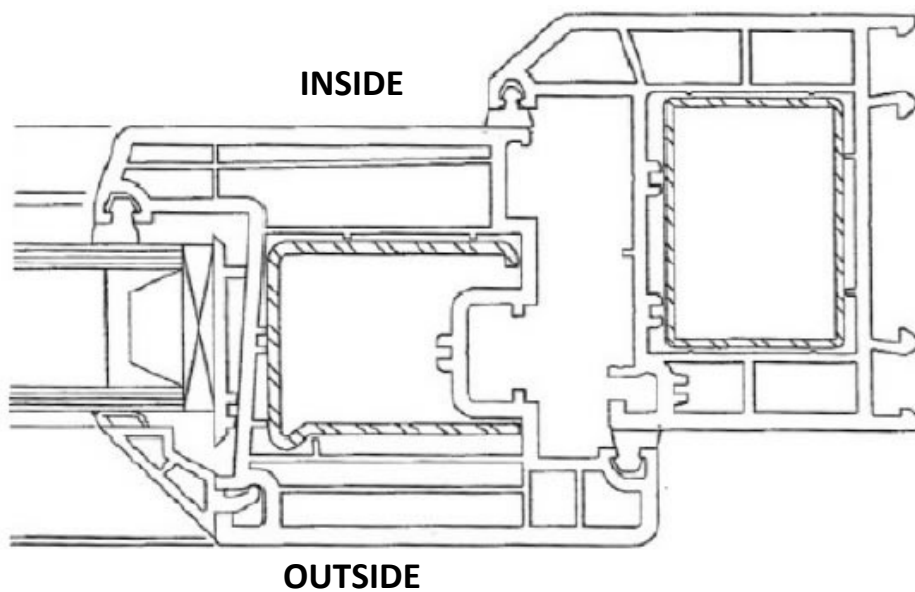
**Diagram 1b – Bottom Detail (Threshold)**

As standard our Bi-Fold door frames are supplied with an extension profile. All door sets whether Open OUT or Open IN have a 15mm extension to the top of the frame, this will give a 16mm gap between the top guide rail and the top of the frame – see diagram 1c.



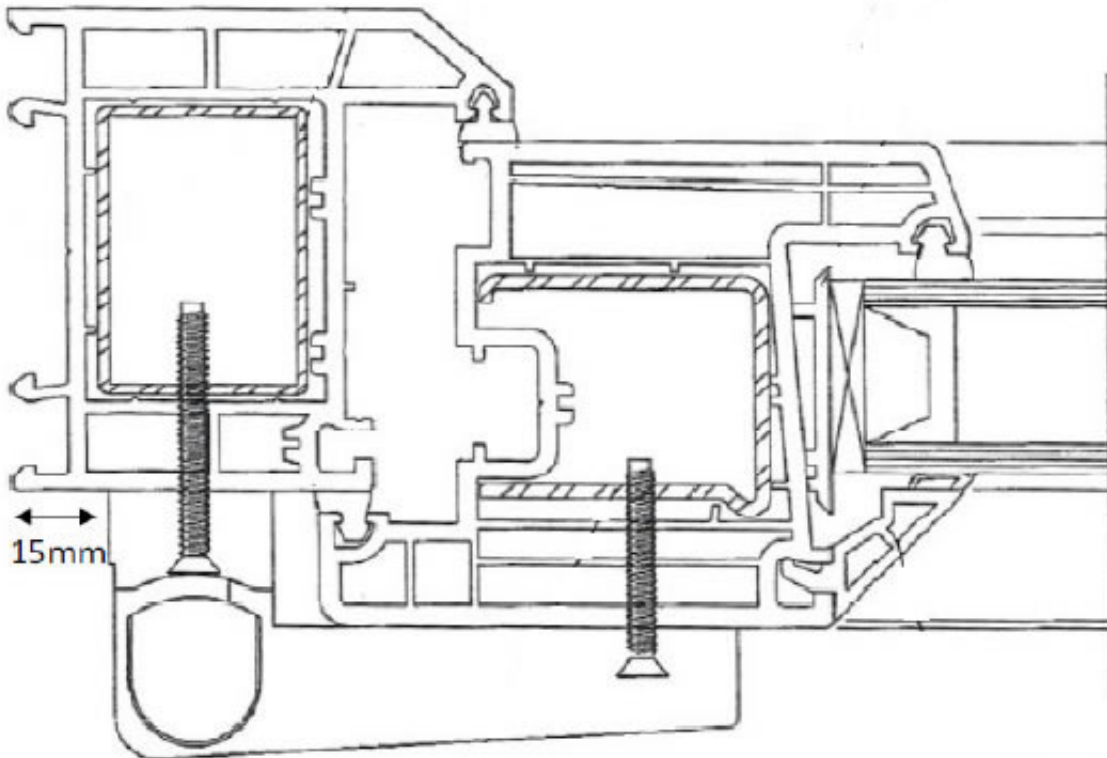
**Diagram 1c – Top Detail**

On the sides of the outer frames OPEN OUT doors sets have no extensions fitted. The distance between the door sash and the edge of the outer frame will be approximately 44mm on the closing side of the frame – see **diagram 1d**.



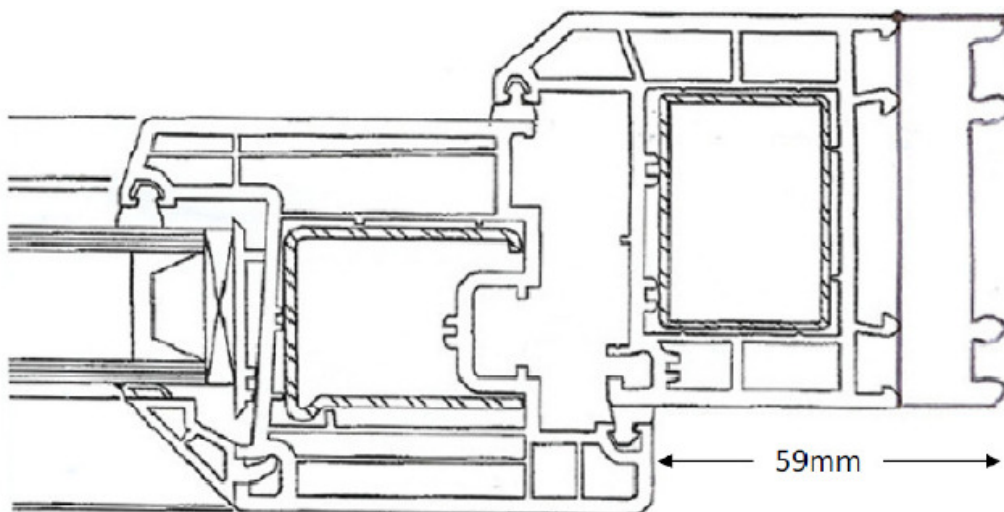
**Diagram 1d**

On the hinged side of the frame on OPEN OUT sets the gap between the edge of the hinge and the frame is approx 15mm – see **diagram 1e**.



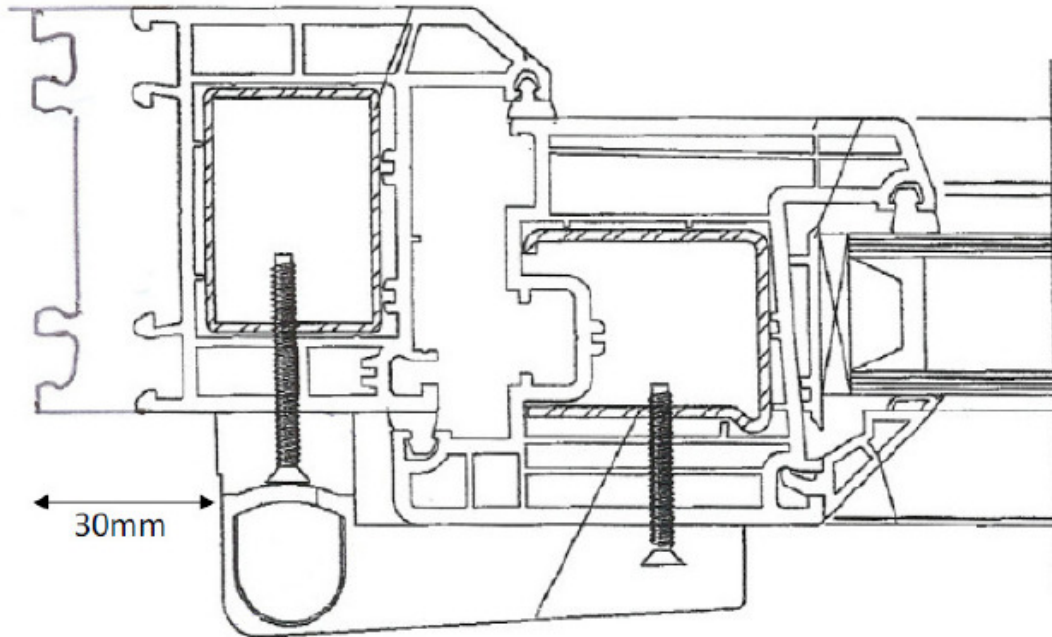
**Diagram 1e**

On Open IN door sets a 15mm extension is fitted to each side of the outer frame, the distance between the edge of the door sash and the edge of the extension profile is approximately 59mm – see **diagram 1f** on the closing side of the frame.



**Diagram 1f**

On the hinged side of the frame on Open IN sets the gap between the edge of the extension and the edge of the frame is approximately 30mm – see **diagram 1g**.



**Diagram 1g**

Exceptions to these rules are schemes 220/202, 440/404, 660/606. On these schemes Open IN and Open OUT have 1 x 15mm extension to the hinge side and 2 x 15mm extensions to the closing side. 2 extensions are required on the closing side to allow the bogie wheels full travel.

**If you have any doubts about measuring for your Bi-Fold Doors please consult a competent person for advice.**